



Image may differ from product. See technical specification for details.

## 22215 EK

### Spherical roller bearing with tapered bore and relubrication features

Spherical roller bearings can accommodate heavy loads in both directions. They are self-aligning and accommodate misalignment and shaft deflections, with virtually no increase in friction or temperature. The design includes features to facilitate relubrication. The bearings can be used in a modular system, including housings, sleeves and nuts.

- Accommodate misalignment
- High load carrying capacity
- Relubrication features
- Low friction and long service life
- Increased wear resistance

## Overview

### Dimensions

Bore diameter	75 mm
Outside diameter	130 mm
Width	31 mm

### Performance

Basic dynamic load rating	217 kN
Basic static load rating	240 kN
Reference speed	4 800 r/min
Limiting speed	6 300 r/min
SKF performance class	SKF Explorer

### Properties

Number of rows	2
Locating feature, bearing outer ring	Without
Bore type	Tapered 1:12
Cage	Sheet metal
Radial internal clearance	CN
Tolerance class for dimensions	Normal
Tolerance class for run-out	P5
Sealing	Without
Lubricant	None
Relubrication feature	With

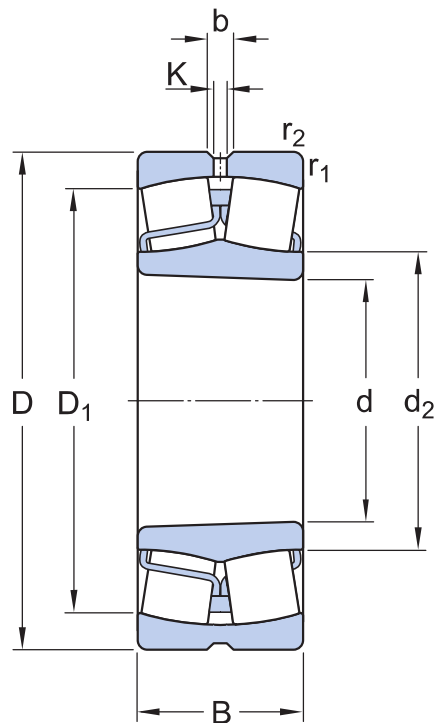
### Logistics

Product net weight	1.65 kg
eClass code	23-05-09-11
UNSPSC code	31171510

## Technical specification

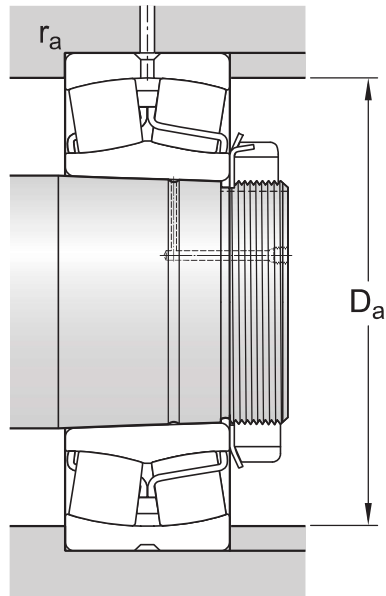
Bore type

Tapered 1:12



## Dimensions

d	75 mm	Bore diameter
D	130 mm	Outside diameter
B	31 mm	Width
d <sub>2</sub>	≈ 87.8 mm	Shoulder diameter of inner ring
D <sub>1</sub>	≈ 115 mm	Shoulder/recess diameter of outer ring
b	6 mm	Width of lubrication groove
K	3 mm	Diameter of lubrication hole
r <sub>1,2</sub>	min. 1.5 mm	Chamfer dimension



## Abutment dimensions

$D_a$	max. 121 mm	Diameter of housing abutment
$r_a$	max. 1.5 mm	Radius of fillet

## Calculation data

SKF performance class		SKF Explorer
Basic dynamic load rating	C	217 kN
Basic static load rating	$C_0$	240 kN
Fatigue load limit	$P_u$	26.5 kN
Reference speed		4 800 r/min
Limiting speed		6 300 r/min
Limiting value	e	0.22
Calculation factor	$Y_1$	3
Calculation factor	$Y_2$	4.6
Calculation factor	$Y_0$	2.8

## Mounting information

Recommended tightening angle for lock nut	$\alpha$	130 °
---	----------	-------

## Tolerance class

---

Dimensional tolerances	Normal
Radial run-out	P5

---

## Tolerances and clearances

---

### GENERAL BEARING SPECIFICATIONS

- **Tolerances:** Normal, P6, P5, tapered bore 1:12, tapered bore 1:30
- **Radial internal clearance:** cylindrical bore, tapered bore

## BEARING INTERFACES




- [Seat tolerances for standard conditions](#)
- [Tolerances and resultant fit](#)

## Compatible products

### Recommended product

Withdrawal sleeve, basic design, ISO standards	<a href="#">AH 315 G</a>
Adapter sleeve with KM lock nut and MB lock washer, metric dimensions	<a href="#">H 315</a>
Adapter sleeve with KMFE lock nut, metric dimensions	<a href="#">H 315 E</a>
Adapter sleeve with KM lock nut and MB lock washer, metric dimensions with inch bore	<a href="#">HA 315</a>
Adapter sleeve	<a href="#">HA 315 E</a>
Adapter sleeve with KM lock nut and MB lock washer, metric dimensions with inch bore	<a href="#">HE 315</a>
Adapter sleeve	<a href="#">HE 315 E</a>
Adapter sleeve with AN or N lock nut and W lock washer, inch dimensions	<a href="#">SNW 15X2.7/16</a>

## More Information

 <b>Product details</b>	 <b>Engineering information</b>	 <b>Tools</b>
<a href="#">Designs and variants</a>		<a href="#">SimPro Quick</a>
<a href="#">General bearing specifications</a>	<a href="#">Principles of rolling bearing selection</a>	<a href="#">SKF Product select - Select and evaluate bearing</a>
<a href="#">Loads</a>	<a href="#">General bearing knowledge</a>	<a href="#">SKF Product select - Combine housing with bearing</a>
<a href="#">Temperature limits</a>	<a href="#">Bearing selection process</a>	<a href="#">LubeSelect for SKF greases</a>
<a href="#">Permissible speed</a>	<a href="#">Bearing failure and how to prevent it</a>	<a href="#">Drive-up Method Program</a>
<a href="#">Design considerations</a>		<a href="#">Heater selection tool</a>
<a href="#">Mounting</a>		<a href="#">Oil Injection Method Program</a>
<a href="#">Designation system</a>		<a href="#">Tool and Accessory Selector for sleeves and shafts</a>





# Terms of use

By accessing and using this website / app owned and published by AB SKF (publ.) (556007-3495 · Gothenburg) ("SKF"), you agree to the following terms and conditions:

## Warranty Disclaimer and Limitation of Liability

Although every care has been taken to assure the accuracy of the information on this website / app, SKF provides this information "AS IS" and DISCLAIMS ALL WARRANTIES, EXPRESS OR IMPLIED, INCLUDING, BUT NOT LIMITED TO, IMPLIED WARRANTIES OF MERCHANTABILITY AND FITNESS FOR A PARTICULAR PURPOSE. You acknowledge that your use of this website / app is at your sole risk, that you assume full responsibility for all costs associated with use of this website / app, and that SKF shall not be liable for any direct, incidental, consequential, or indirect damages of any kind arising out of your access to, or use of the information or software made available on this website / app.

Any warranties and representations in this website / app for SKF products or services that you purchase or use will be subject to the agreed upon terms and conditions in the contract for such product or service.

Further, for non-SKF websites / apps that are referenced in our website / app or where a hyperlink appears, SKF makes no warranties concerning the accuracy or reliability of the information in these websites / apps and assumes no responsibility for material created or published by third parties contained therein. In addition, SKF does not warrant that this website / app or these other linked websites / apps are free from viruses or other harmful elements.

## Third Party Services

When viewing YouTube content via the SKF website(s) (i.e. using [YouTube API Services](#)), you agree to be bound by the [YouTube Terms of Service](#).

## Copyright

Copyright in this website / app copyright of the information and software made available on this website / app rest with SKF or its licensors. All rights are reserved. All licensed material will reference the licensor that has granted SKF the right to use the material. The information and software made available on this website / app may not be reproduced, duplicated, copied, transferred, distributed, stored, modified, downloaded or otherwise exploited for any commercial use without the prior written approval of SKF. However, it may be reproduced, stored and downloaded for use by individuals without prior written approval of SKF. Under no circumstances may this information or software be supplied to third parties.

This website /app includes certain images used under license from Shutterstock, Inc.

## Trademarks and Patents

All trademarks, brand names, and corporate logos displayed on the website / app are the property of SKF or its licensors, and may not be used in any way without prior written approval by SKF. All licensed trademarks published on this website / app reference the licensor that has granted SKF the right to use the trademark. Access to this website / app does not grant to the user any license under any patents owned by or licensed to SKF.

## Changes

SKF reserves the right to make changes or additions to this website / app at any time.